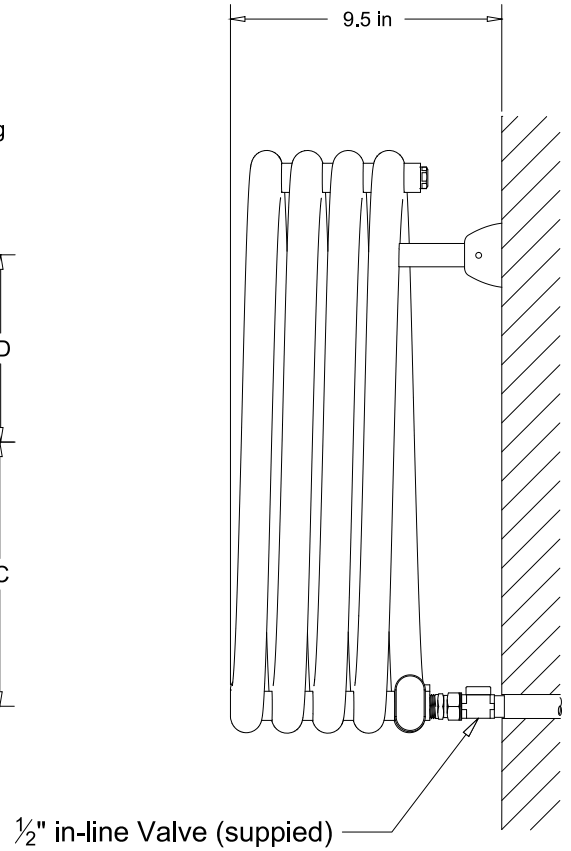
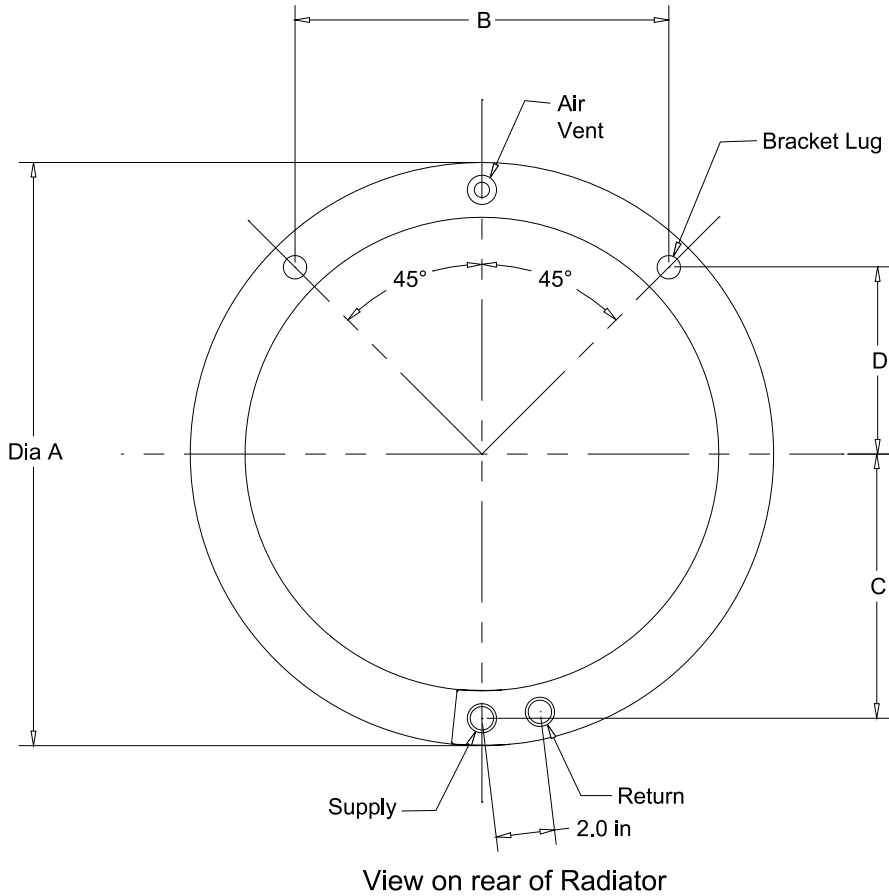


# SPECIFICATION DATA

# HOT HOOP



White & Metallica finish

Test pressure: 174 P.S.I.

Max working pressure: 116 P.S.I.

Max working temperature : 200 °F

Connections: 1 / 2 inch **BSP** rear tapping TAIL PIECE HAS BEEN INSTALLED, straight valves (included) with 1/2" sweat coupling in-line female to pipe.

For closed loop hot water systems only.

Not for use with domestic hot water system.

\*\*Mirrored stainless steel finish can be used on a domestic hot water system\*\*

MODEL	Dia A	PIPE & BRACKET Centers		
		B	C	D
HH50	19.7 in	12.5 in	8.9 in	6.3 in